

AEA NUVO N22

SPECIFICATIONS



ACTIVE NEAR-FIELD RIBBON MIC

SPECIFICATIONS

Operating Principle: Pressure gradient transducer
Directional Pattern: Bidirectional
Frequency Range: <20 Hz to >20 kHz
Maximum SPL: 141 dB SPL (1% third harmonic > 1 kHz)

Sensitivity: 6.2 mV/Pa (-44.1 dBV) into unloaded circuit
Output Impedance: 92 Ω broadband
Rec Load Impedance: Phantom 1.0 k Ω or greater
Power: P48 phantom power, 7 mA
Polarity: Pin 2 high for positive pressure at the front of the microphone.

Off-Axis Response

Horizontal: Up to 90 dB rejection at right angles to the front/back axis.
Vertical: Level changes with angle of incidence, but frequency response is consistent.

Transducer Element

Material: Pure aluminum corrugated ribbon
Thickness: 1.8 μ m
Width: 0.185 in (4.7 mm)
Length: 2.35 in (59.7 mm)

Microphone Dimensions

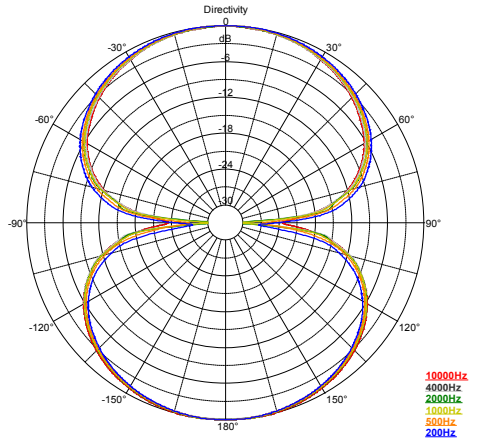
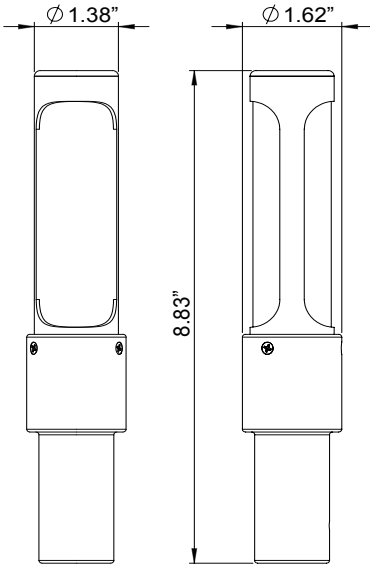
Height: 8.83 in (22.5 cm)
Width: 1.62 in (11.7 cm)
Depth: 1.62 in (9.5 cm)
Weight: 12 oz (335 g)
Shipping Weight: 1 lb 13 oz (810 g)
Connector: XLR-3M

Accessories included Storage/shipping case, mic stand clip, soft cloth bag, user manual

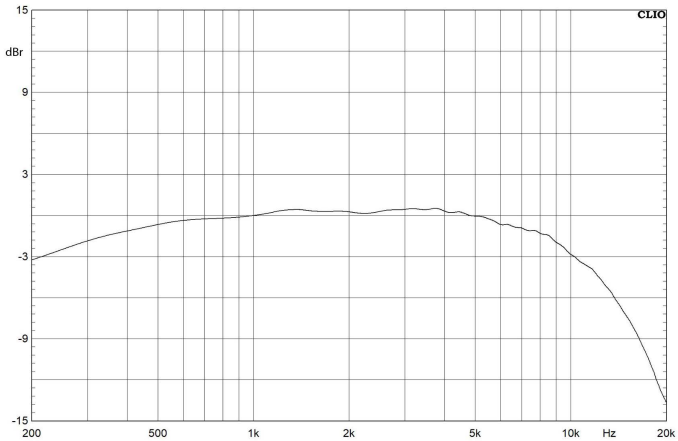
In compliance with the following requirements:
RoHS2 Directive: 2011/65/EU



DIMENSIONS & POLAR PATTERN



FREQUENCY RESPONSE



- Data below 200 Hz omitted due to measuring room restrictions
- 0 dB is equivalent to $6.2\text{mV}/\text{Pa}$ (-44.1 dBV)
- Normalized to 0 dB at 1kHz. 1/3 octave smoothing